



INSTALLATION, USE & CARE MANUAL

DIMENSIONS: (890 mm)(W) x(520 mm)(D)

Models

PM363I0X

INSTALLATIE, GEBRUIK EN ONDERHOUD

DIMENSIES: (890 mm)(B) x(520 mm)(D)

Modellen

PM363I0X

**IMPORTANT: SAVE FOR LOCAL ELECTRICAL INSPECTOR'S USE.
READ AND SAVE THESE INSTRUCTIONS FOR FUTURE REFERENCE.
OBSERVE ALL GOVERNING CODES AND ORDINANCES.**

WARNING: If the information in this manual is not followed exactly, a fire or explosion may result causing property damage, personal injury or death.

Do not store or use gasoline or other flammable vapors and liquid in the vicinity of this or any other appliance.

WHAT TO DO IF YOU SMELL GAS

- Do not try to light any appliance.
- Do not touch any electrical switch.
- Do not use any phone in your building.
- Immediately call your gas supplier from a neighbor's phone. Follow the gas supplier's instructions.
- If you cannot reach your gas suppliers, call the fire department.

Installation and service must be performed by a qualified installer, service agency or the gas supplier.

Read this instruction booklet before installing and using the appliance.

The manufacturer will not be responsible for any damage to property or to persons caused by incorrect installation or improper use of the appliance.

The manufacturer reserves the right to make changes to its products when considered necessary and useful, without affecting the essential safety and operating characteristics.

This appliance has been designed for non-professional, domestic use only.



WARNING

NEVER use this appliance as a space heater to heat or warm the room. Doing so may result in carbon monoxide poisoning.

INDEX:

Installation Instructions.....	pag.2
Inserting the hotplate.....	pag.3
Requirements.....	pag.4
Attaching the hotplate.....	pag.4
Gas connection.....	pag.5
Electrical connection.....	pag.5
Room ventilation.....	pag.6
Location and venting.....	pag.6
Replacement of nozzles.....	pag.6
Regulation of burners.....	pag.6
Descriptions.....	pag.6
Service & maintenance instructions.....	pag.7
User instructions.....	pag.7
Using burners.....	pag.8-9
Using ceramic induction elements.....	pag.9-13
Cleaning the appliance.....	pag.13
Figures.....	pag.16

Before Installation

If receiving the unit from a transportation company, it is customer's obligation to inspect the package and note any damage on the delivery receipt. After delivery have your induction cooktop carefully unpacked, and again check for any visible damage. If you find any damage on the unit at this point, immediately inform your dealer or distributor. Although the responsibility for shipping lies with the carrier, your dealer/distributor will assist you with your claim.

If the unit is not supposed to be installed for some time, you should keep it in its original packaging, stored in a dry and safe place.

Read through the sections of this manual which pertains to installation, and make sure that all of the requirements can be met.

Ensure that your electric power supply is correct.

Installation instructions

This appliance shall only be installed by an authorized person. This appliance shall be installed in accordance with the manufacturers installation instructions, IMPORTANT: this appliance must be installed in accordance with the norms in force of the country concerned.

INFORMATION FOR THE INSTALLER

The installation, all regulations, changes and maintenance referred to in this part must only be carried out by qualified staff.

A wrong installation can cause damage to persons, animals or things which the manufacturer cannot be held responsible for.

The safety and automatic regulation devices on the appliances can only ever be changed by the manufacturer or by the supplier which has been authorised to do so.

INSERTING THE HOTPLATE

After having removed the various loose parts from the internal and external packing, make sure that the hotplate is not damaged and is suitable for the specific gas usage. The gas type label is on the underside of the hotplate base.

In case of doubt, do not use the appliance and contact skilled personnel.

Keep all the packing parts (polystyrene foam, cardboard, staples, etc.) away from children.

Consider the critical dimensions of the appliance, before making an opening in the top surface of the bench top. (relative measurements as per Fig 1- 2).

If your counter is produced from porous materials which tend to swell if in contact with humidity, and water, to better protect the cut-out, use proper sealants on the edge which would prevent any penetration of humidity and water.

Chamfer all exposed edges of decorative laminates to prevent further chipping.

Radius corners of the cut-out and file them to ensure smooth edges and prevent corner cracking.

Rough edges and inside corners which are not rounded as well as forced fits can contribute to cracking of counter top laminate.

Requirements

1. Overhead clearances (Minimum values)

The minimum overhead clearances shall be in accordance with the minimum values indicated in the table n.1 and are shown and in the fig. 1- 2

Range hoods and exhaust fans shall be installed in accordance with the manufacturer's instructions. However, in no case shall the clearance between the top of the highest burner of the cooking appliance and the range hood be less than 650mm.

Any other downward facing combustible surface less than 600mm above the top of the highest burner shall be protected for the full width and depth of the cooking surface area.

However, in no case shall this clearance to any surface be less than 450mm.

Maximum depth for the overheads cabinet is 330mm

2. Side clearances (Minimum values)

The different side clearances shall be in accordance with the minimum values indicated in the table n.1 and are shown and in the fig. 1- 2

The cooking surface area is defined as that part of the appliance where cooking normally takes place and does not include those parts of the appliance containing control knobs.

Table n.1

<i>Min. Clearances</i>	<i>mm</i>
L1	500
L2	40
L3	70
L4	457
L5	610
L6	330
L7	925
L8	40
L9	172

<i>Min. Clearances</i>	<i>mm</i>
L10	870
L11	915
W	890
D	520
B1 (*)	60*
B2 (*)	152*
B3 (*)	60*
B4 (*)	152*

(*) Note:

-B1 is the min. clearance between the front edge of the appliance and the front edge of the cabinet.

-B2 and B4 are the min. clearance between the left/right side edge of the appliance and the side wall (if present).

-B3 is the min. clearance between the back edge of the appliance and the back wall.

ATTACHING THE HOTPLATE

To prevent liquids from leaking accidentally into the underlying storage space, the appliance is equipped with a special gasket. To apply this gasket, carefully follow the instructions in Fig. 3. Lay out the protective sealing strips along the edges of the opening in the bench top and carefully overlap the strip end. (See Fig. 3). insert the hotplate into the bench top opening. With a screwdriver assemble the brackets to the hotplate bottom by means of the screws . (See Fig. 4A-4B). Slide the hooks into position and secure them with the screws.

Trim the part of the sealing strips which extend beyond the hotplate base

GAS CONNECTION

Before connecting the appliance to the gas supply, first remove the plastic plug on which is press-fitted into the gas inlet union; to remove, just pull it off.

IMPORTANT INFORMATION CONCERNING THE INSTALLATION OF THE APPLIANCE

The hob can be installed by itself, in an isolated position or inserted between two kitchen units or between one kitchen unit and a wall. Furthermore the back wall and surrounding surfaces must resist a temperature of 65 K.

To prevent the plastic layer which covers the kitchen unit from ungluing, the glue used to join the two surfaces together must resist temperatures of up to 150 °C

The installation of the appliance must be carried out according to the norms in force of the country concerned and the appliance must be installed in a well ventilated place.

This appliance is not equipped with devices to remove the products of combustion. The appliance must therefore be connected following the norms for installation mentioned above. Special attention must be paid to the information below regarding aeration and ventilation of the premises.

VENTILATION OF THE PREMISES

To guarantee that the appliance works correctly it is necessary that the place where the appliance is installed is continuously ventilated. The volume of the premises must not be less than 25 m³ and the quantity of air needed must be based on the regular combustion of gas and on the ventilation of the premises. The natural flow of air will take place through permanent openings made in the wall of the premises to be ventilated: these openings will be connected to the outside and must have a minimum section of 100 cm² (see Fig. 2). These openings must be made in such a way that they cannot be obstructed.

POSITION AND VENTILATION

The cooking appliances that use gas must always remove the products of combustion via a hood linked to chimneys, chimney flues or via a direct connection to the outside (see Fig. 3). If it is not possible to fit a hood it is possible to use a fan, fitted on the window or facing directly outside, which operates when the appliance is in use. (see Fig. 4). In this way the norms in force of the country concerned regarding the ventilation of premises are strictly followed.

CONNECTING THE APPLIANCE TO THE GAS SUPPLY

Before connecting the appliance to the gas supply you first need to remove the plastic protective plug for the gas supply which is inserted under pressure in the gas inlet connection. To remove the plug simply unscrew it.

Then make sure that the details shown on the label on the lower part of the case are compatible with those of the gas supply.

A label on the last page of this manual and on the lower part of the case indicates the conditions for regulating the appliance: type of gas and pressure used.

IMPORTANT: This appliance must be installed in accordance with the norms in force of the country concerned and it must only be used in a well-ventilated place.

ATTENTION: Remember that the gas inlet connection for the appliance is threaded 1/2 gas cylindrical male in accordance with the norms UNI-ISO 228-1. (Fig. 10)

ELECTRICAL CONNECTION

The appliance is equipped with a 1.2 m. cable with 6 wires ready for connection to a dedicated 3 wire grounded power supply/junction box: (fig.

Voltage 240 V a.c., Frequency 60Hz. Max Current: 3700W /15,5 A

brown wire: connect to L1 (hot)

-----: connect to L1 (hot)
 blu wire: connect to N (neutral)
 Yellow/Green wire: connect to GND (ground)

A dedicated line and junction box should be used to connect the oven to a 20 A circuit.

ROOM VENTILATION – LOCATION AND VENTING.

ATTENTION: An exhaust fan may be used with the appliance; in each case it shall be installed in conformity with the national standards in force.

ATTENTION: Exhaust hood operation may affect other vented appliances; in each case it shall be installed in conformity with the national standards in force.

- CHANGING THE NOZZLES FOR USE WITH OTHER TYPES OF GAS:

To change the nozzles of the burners use the following procedure:

Lift up the burners and unscrew the nozzles (Fig. 9) using an adjustable spanner of 7 mm and change the nozzles with those designed for the new gas supply according to the information given in TABLE A shown below.

TABLE A: Adapting to different types of gas

Burner	Inj. size 1/100mm	Gas Type	Pressure [mbar]	Max Rate				Min Rate		By-pass size 1/100mm	
				g/h	l/h	kw	kcal/h	kw	kcal/h		
Semi-Rapid	192	Town G110	8	-	397	1,75	1505	0,44	378	31 reg.	
	101	Natural G20	20	-	167	1,75	1505	0,44	378	31 reg.	
	66	Butane G30	30	127	-	1,75	1505	0,44	378	31	
	66	Propane G31	37	125	-	1,75	1505	0,44	378	31	
Rapid	280	Town G110	8	-	681	3	2580	0,75	645	42 reg.	
	129	Natural G20	20	-	286	3	2580	0,75	645	42 reg.	
	87	Butane G30	30	218	-	3	2580	0,75	645	42	
	87	Propane G31	37	214	-	3	2580	0,75	645	42	
Dual burner	Inner	130	Town G110	8	-	181	0,8	688	0,3	258	27 reg.
		70	Natural G20	20	-	76	0,8	688	0,3	258	27 reg.
		46	Butane G30	30	58	-	0,8	688	0,3	258	27
		46	Propane G31	37	57	-	0,8	688	0,3	258	27
	Outer	N°2 x 300	Town G110	8	-	885	3,9	3354	1,8	1549	65 reg.
		N°2 x 110	Natural G20	20	-	419	4,4	3784	1,8	1548	65 reg.
		N°2 x 69	Butane G30	30	298	-	4,1	3526	1,8	1548	65
		N°2 x 69	Propane G31	37	293	-	4,1	3526	1,8	1548	65

CAUTION: save the orifices removed from the appliance for future use

Regulation of burners

Regulation of the "MINIMUM" on the burners

To regulate the minimum on the burners carry out the following procedure indicated below:

- 1) Turn on the burner and put the knob onto position MINIMUM (small flame).
- 2) Remove the knob (Fig. 11) of the tap which is set for standard pressure. The knob is found on the bar of the tap itself.
- 3) Beside the tap bar on the work top, use a small screwdriver that fits the screw (gold) found on the lower part of the tap and turn the fixing screw to the right or left until the flame of the burner is regulated in the most suitable way to MINIMUM.
- 4) Make sure that that the flame does not go out when changing the position quickly from MAXIMUM to the MINIMUM position.

ATTENTION: The regulation described above can be carried out only with burners using natural gas, while with burners using propane gas the screw must be fully screwed in, in a clockwise direction.

DESCRIPTION

DESCRIPTIVE CAPTION FOR HOB (fig.9)

1. Dual burner

2. Rapid burner
3. Rear Induction element
4. Front induction element
5. Semi-rapid burner
6. Dual out burner control knob
7. Dual in burner control knob
8. Rapid burner control knob
9. Medium burner control knob
10. Front Induction element control knob
11. Rear Induction element control knob

SERVICE & MAINTENANCE INSTRUCTIONS

Service and maintenance only to be carried out by an authorised person

To replace parts such as burners, valves and electric components, the hotplate must be removed from the bench top by releasing the attachment hooks, loosening the attachment screws of each burner, unscrewing the hotplate attachments nuts which are visible at the bottom of the surface, removing the hotplate top and finally replacing the defective parts.

Note: if the valves must be replaced, first disassemble the ignitions switches wires.

It is recommended to replace the valve gaskets each time the valve is replaced, thus ensuring a perfect seal between the body and the gas train.

WARNING: Disconnect power before servicing unit.

For the location of the wall receptacle for the connection of the three-pin earthed plug of the appliance, see indications given in Fig. 1- 2

WARNING: After first installation of the appliance or after any service intervention concerning main gas parts of the appliance, make the leak test using water with soap on the gas connections in order

USER INSTRUCTIONS

IMPORTANT SAFETY INSTRUCTIONS

- 1 - Proper Installation - Be sure your appliance is properly grounded and installed by a qualified technician.
- 2 - Never Use your Appliance for Warming or Heating the Room.
- 3 - Do Not Leave Children Alone - Children should not be left alone or unattended in an area where appliance is in use. They should never be allowed to sit or stand on any part of the appliance.
- 4 - Wear Proper Apparel - Loose-fitting or hanging garments should never be worn while using the appliance.
- 5 - User Servicing - Do not repair or replace any part of the appliance unless specifically recommended in the manual. All other servicing should be referred to a qualified technician.
- 6 - Storage in or on Appliance - Flammable materials should not be stored near surface units.
- 7 - Do Not Use Water on Grease Fires - Smother fire or flame or use dry chemical or foam-type extinguisher.
- 8 - Use Only Dry Potholders - Moist or damp potholders on hot surfaces may result in burns from steam. Do not let potholder touch hot heating elements. Do not use a towel or other bulky cloth.
- 9 - Use Proper Pan Size - This appliance is equipped with several, differently sized, induction elements. Select cookware having flat bottoms, large enough to cover the surface unit heating element. Proper size pots and pans will also improve efficiency.

10 - DO NOT TOUCH SURFACE UNITS OR AREAS NEAR UNITS - Surface units may be hot even though they are dark in color. Areas near surface units may become hot enough to cause burns.

11. Do Not Heat Unopened Food Containers - Build-up of pressure may cause container to burst and result in injury..

12. Never Leave Surface Units Unattended at High Heat Settings - Boil-over causes smoking and greasy spillovers that may ignite.

13. Do not use aluminum foil, aluminum liners or aluminum containers on the unit.

14. Cookware Handles Should Be Turned inward and Not Extend Over Adjacent Surface Units - To reduce the risk of burns, and spillage due to unintentional contact with a pot/pan, which is used for cooking, the handle of the piece should be positioned so that it is turned inward, and does not extend over adjacent surface units.

15. Do not Cook on Broken Cooktop - If cooktop should break, cleaning solutions and spillovers may penetrate the broken cooktop and create a risk of electric shock. Contact a qualified technician immediately.

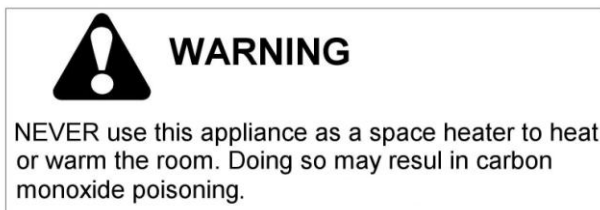
16. Clean Cooktop With Caution - If a wet sponge or cloth is used to wipe spills on a hot cooking area, be careful to avoid steam burns. Some cleaners can produce noxious fumes if applied to a hot surface.

CAUTION

Do not store items of interest to children in cabinets above or around the cooktop children climbing on the cooktop to reach items, could be seriously injured.

WARNINGS:

Keeping appliance area clear and free from combustible materials, gasoline and other flammable vapors and liquid.



Do not store dangerous or flammable material in the cabinet areas above appliance; store them in a safe place in order to avoid potential hazards.

For safe use of appliance, do not use it for space heating.

Do not use aerosol sprays in the vicinity of this appliance while it is in operation

For description of hotplates refer to installation instructions.

USING BURNERS

A diagram is etched on the control panel above each knob which indicates which burner corresponds to that knob. (fig.11-12-13-14)

Manual ignition:

Manual ignition is always possible even when the power is cut off or in the event of prolonged power failure. Turn the knob that corresponds to the burner selected counterclockwise to the MAXIMUM position at the etched star (large flame) and place a lit match up to the burner.

Burners fitted with a safety device (thermocouple):

Turn the knob that corresponds to the burner selected counterclockwise to the MAXIMUM position at the etched star (large flame) and then press the knob down to activate the spark ignition. Once ignited, keep pressing the knob for about 10 seconds to allow the flame to heat the thermocouple. If the burner does not remain alight after releasing the knob repeat the above procedure,

Note: Dual burner is composed by two burner (inside and outside); each one operates under the relative gas valve independently from the other one.

Note: It is recommended not to try to ignite the burner if the relative flame cap is not in the correct position

Tips for using burners correctly:

WARNING: During use of each gas burner(s) adjust the burner flame size properly so it does not extend beyond the edge of the cooking utensil. This is an instruction based on safety considerations

- Use suitable pots for each burner (see Fig. 17 and Table B)
- When the liquid is boiling, turn down the knob to the MINIMUM position.
- Always use pots with a cover.

Table B

Burner	Recommended pan diameters (mm)
Medium	(140 – 260)
Large	(180 – 260)
Dual	(220 – 260)

Correct usage of pans:

- Dry the bottom of the pan before placing it on the hotplate.
- Use pots with a flat, thick bottom, except for wok cooking.
- When using the burners, ensure that the handles of the pans are correctly positioned. Keep children away from the appliance.
- When cooking foods with oil and fat, which are very flammable, the user should not leave the appliance unattended.

WARNING: If the power is cut off, the burners can be lit with matches.

The burners equipped with a safety thermocouple can only be lit when the knob is in the MAXIMUM position (large flame etching).

Note: The use of a gas cooking appliance produces heat and humidity in the room where it is installed. Therefore, proper ventilation in the room is needed and natural ventilation openings must remain unobstructed and activating the mechanical exhaust fan/range hood. Intensive and continuous use of the appliance may require additional ventilation, for example by opening a window, or increasing the power of the mechanical exhaust fan/range hood, if installed.

USING THE CERAMIC INDUCTION ELEMENTS

Safety Precautions - Read before operating your cooktop

Your induction-cooking unit has been designed for residential use and food preparation, and all of the safety parameters have been designed accordingly.

The unit incorporates numerous safety devices and controls, a few of which will be mentioned below:

- A number of sensors monitor the temperature of the internal components. If any of these sensors senses that the component temperature is above the limit, the power output of the unit will automatically be reduced, allowing the component to cool down. Once this is achieved, the unit will continue to operate normally at the output level set initially by the operator..
- Each induction element is equipped with a sensor which is continuously monitoring the temperature of the bottom of the pan to prevent the pan from overheating.
- Each induction element is equipped with a pan sensing device. This device will not allow the element to turn on unless it senses an inductioncompatible pot or pan on the element covering enough surface area. If no

pot/pan is detected, the digital display will flash indicating that there is no power on the element. Once an induction-compatible piece of cookware is sitting properly on the element, the digital display will become steady, and the cookware will start heating up. Note that a small object as a fork, a spoon, a piece of jewelry, etc. will not be mistaken for a cooking utensil, and it will not trigger this sensor. Moreover, this device will distinguish between pots and pans which are and are not suitable for induction cooking.

If a piece of cookware, which is not suitable for induction cooking, is placed on an element, there will be no power output on the element.

We reserve the right to make any changes to internal components, as well as, to make any (cosmetic) modifications on the outside in an effort to improve our products.

Users with pacemakers or defibrillators must consult with their pacemaker manufacturer or their physician prior to using this cooktop which incorporates an induction heating source.

If a crack appears in the glass surface, disconnect the unit immediately to avoid any risk of electric shock. If the unit is connected directly to supply inside a junction box, then disconnect its breaker, or remove fuses manually.

Do not use your cooktop until the glass top has been replaced.

When cooking, never use aluminum foil, never place products wrapped in aluminum foil or products deep-frozen in aluminum packs on the cooktop.

Aluminum foil could melt and damage the vitroc ceramic glass beyond repair.

The Principle of Induction

When an induction element, also called: 'a heating zone' or simply: 'a coil' - is switched on, the appropriate piece of cookware used, and a desired level of heating power selected, the electronic circuit unit ('induction generator' or 'inverter') powers up the induction element which creates a magnetic field. This magnetic field continuously changes in terms of frequency and intensity, and this creates induced 'eddy' currents in the bottom of the pot or pan and ultimately results in heat. The heat is transferred directly to the food being cooked.

Thus, induction heat makes the cookware a direct source of heat, featuring high level of efficiency with extremely low energy loss and unparalleled heating level control.

With induction cooking there is very little 'heating inertia'. Induction cooking elements do not incorporate a heat generating element, unlike convectional electric rings, halogen or radiant elements etc, therefore, heat levels can be changed very quickly.

For induction, energy efficiency is within a range of 90-95%, compared with 55-65% for conventional and radiant element, or 45% - 55% for gas fueled burners. The energy efficiency contributes to substantial energy savings, both beneficial to the owner as well as the environment.

Induction cooking elements are sensitive to the cookware type being used :

- If there is no cookware placed on the element, or if the cookware is not of induction grade, there will be no power emitted by the element.

- If the the piece of cookware is placed partially on the element, or if it is smaller than the element, the internal sensors will reduce power to the element.

- If the pot/pan is fully removed from the element, the power output will be instantaneously reduced to '0'. The controls will turn the element off after a minute, unless the piece is returned onto the element.

When compared to other methods of cooking, induction cooking has a very low level of ambient heat, thus making cooking more pleasurable, with a reduced need for ventilation.

Finally, the vitroc ceramic glass as a cooking surface barely becomes hot and this makes cleaning much easier.

When using induction elements, some cookware may produce faint humming sound. This is a normal occurrence. The noise is a result of vibrations caused by induced currents.

For a proper choice of pots and pans, please see "Cookware for Your Induction"

SET THE COOKING TEMPERATURE AS FOLLOWS

Set the heat setting the control knob.

OFF= element off

1= lowest setting

9= highest setting

B= Powerboost function

A= Heating accelerator

Led indicator

H = Residual heat

B = Powerboost Function

 = Power ON

These knobs provide control of the induction cooking zones above each knob there is indication of the zone controlled..

Push and turn the knob to the right to set the zone's operating power; the settings range from a minimum of 1 to a maximum of 9. (fig.15-16)

Heating accelerator

Each cooking zone is equipped with a heating accelerator.

This system allows the zone to be operated at peak power for a time proportional to the heating power selected.

To start the heating accelerator, turn the knob to the left, select setting "A" and then release.

You now have 3 seconds to select the heating setting between 1 and 9.

While the heating accelerator is in operation, the heating level can be increased at any time. The "full power" time will be modified accordingly. If the power is reduced by turning the knob anticlockwise, the heating accelerator is automatically deactivated.

Powerboost Function

The power function allows the user to operate each heating zone continuously at the maximum power for a time of no more than 10 minutes. This function can be used, for example, to bring a large amount of water to the boil in a hurry, or to turn up the heat under meat.

Push and turn the knob clockwise and set heating level 9, then use the knob to set the "B" position and release it. "B" appears on the corresponding zone display.

After 10 minutes, the power is reduced automatically, "B" led is switched off.

However, the power function can be turned off at any time by reducing the heating level..

When the power function is selected for one heating zone, the power absorbed by the second zone might be reduced to supply the maximum available energy to the first zone.

If a pan is removed from the cooking zone while the power function is on, the function is switched off.

Child lock

The child lock function prevents switching on of the control unit, to avoid unwanted operation, for example by children, While child lock is activated, no cooking zone can be used.

The child-lock mode is activated by overwinding the two knobs in anti-clockwise direction for more than 1,5 secs-alternatively: one knob for more 5 secs; AND less than 30 secs to avoid failure detection.

The child-lock is disabled in the same way.

Activation/disabling is only possible if both knob input units are in zero position.

Type of pans

This type of appliance can only operate with pans of special kinds.

The bottom of the pan must be iron or steel/iron to generate the magnetic field necessary for the heating

process

Vessels made from the following materials are not suitable:

- glass;
- porcelain;
- pottery;
- steel, aluminium or copper without magnetic bottom;

To check that a pan is suitable, simply place a magnet close to its bottom:

if the magnet is attracted, the pan is suitable for induction cooking.

The pans used for cooking must have certain minimum diameters to ensure satisfactory operation.

Pans larger than the cooking zones can also be used, but it is important to ensure that the bottom of the pan does not touch other cooking zones, and that it is always centred over the perimeter of the cooking zone.

Use only vessels specially designed for induction cooking, with thick, completely flat bottom; if these are not available, the pans used must not have crowned (concave or convex) bottom. (fig.16)

Residual heat

Each cooking zone is equipped with a device which warns of residual heat. After any cooking zone is switched off, a 'H' may appear on the display. This warns that the cooking zone concerned is still very hot. Cooking can be restarted while the 'H' is on.

Attention:

Take care not to spill sugar or sweet mixtures onto the hob during cooking, or to place materials or substances which might melt (plastic or aluminium foil) on it; if this should occur, to avoid damage to the surface, turn the heating off immediately and clean with the scraper supplied while the cooking zone is still warm. If the ceramic hob is not cleaned immediately, residues may form which cannot be removed once the hob has cooled.

Important!

Keep a close eye on children because they are unlikely to see the residual heat warning lights. The cooking zones are still very hot for some time after use, even if they are switched off. Make sure that children never touch them.

WARNING: Under no circumstance use aluminium foil or plastic containers to hold the food while cooking on a glass-ceramic hob.

WARNING: Do not touch the cooking area as long as the light indicating residual heat on the glass-ceramic hob, is "on"; this indicates that the temperature in the relative area is still high.

WARNING: Never place pan with bottoms which are not perfectly flat and smooth on the hob

WARNING: If you notice a crack in the ceramic hob, disconnect the appliance from the electricity supply and contact a service centre

WARNING: Your glass-ceramic hob is thermal shock resistant and resistant to both heat and cold.

If you drop a heavy pot on your hob it will not break.

On the contrary, if a hard object, such as the salt shaker or the spice bottle strikes the edge or the corner of the hob, the hob may break.

WARNING: never use the glass-ceramic hob as support surface.

Matching Pots & Pans with Elements, etc.

All elements, 14,5cm (5 3/4"), are best used:

- With small pieces of cookware - but normally not smaller than 10 cm (4");
- For slow cooking and simmering (sauces, creams, etc.);
- For cooking small quantities of food.

Minimum 10cm (3 15/16") pots, maximum 25cm (10") pots.

When cooking large quantities of food, it is always better to use a large diameter pot/pan covering the element. Thus, better and more efficient heat distribution will be achieved and food will be cooked evenly.

When using a large pot/pan on the center element, the best results will be obtained if the pan covers the whole circumference of this burner. If the cookware only covers a portion of the outer element - this element

consists of two concentric coils/elements - then the performance of the element will not be as efficient and impressive.

To Do or Not To Do

You must:

- Always place your cookware in such a way that its center is aligned with the centre of the element.
- Avoid hitting the vitroceramic glass with cookware or any hard objects. The glass surface is highly resistant but not unbreakable.
- Pick-up your cookware when moving them around. Do not slide them and avoid excessive rubbing of the top, as this leave scratches and erase the markings
- Avoid using cookware with rough or deformed bottoms.
- Avoid leaving any metal cooking accessories, knives and forks, or metal objects on the cooktop. They may get hot if left close to any heating element in use.
- Avoid storing flammable products in the cabinets under your cooktop.
- Never leave an empty pot/pan on an induction heating element, even when the element is turned OFF.
- Only use maximum power for boiling and frying.
- Never try heating up a closed can.
- Avoid preheating your non-stick pans (e.g. with teflon coating) at maximum heat.
- Avoid storing solid and heavy items in the cabinets above your cooktop.They may accidentally be dropped and damage the glass top.

Your cooktop must never be used as a storage space or a surface for piling up of any material. Do not connect any appliances to the plugs above or near to the induction cooktop; connection cable insulation can melt if in contact with heat, and this may result in an injury and a property damage.

Cooking recommendations

FOOD	KNOB POSITION
Melting	
Chocolate, chocolate coating, butter	1-2
Heating	
Frozen vegetables eg.spinach	2-4
Broth	8-9
Thick soup	2-3
Milk (without lid)	1-2
Simmering	
Delicate sauce	7-8
Spaghetti sauce	2-3
Pot roast	5-7
Fish (without lid)	6-8
Cooking	
Rice	3-4
Potatoes boild in their skins	5-7

Boiled potatoes	5-7
Fresh vegetable	5-7
Frozen vegetable	5-7
Pasta	8-9
Pudding (without lid)	7-8
Cereals	3-4
Frying	
Pork chop	8-9
Chicken breast	6-7
Bacon	8-9
Eggs	7-8
Fish	8-9
Pancakes	8-9

CLEANING THE APPLIANCE:

Never use abrasive cleaners

Before cleaning the appliance it should be disconnected from the power supply.

Cleaning the work surface: periodically clean the burner heads, the enamelled steel pan supports and the burner caps using warm water.

Any spillage must always be removed as soon as possible using a rag.

If it become difficult to open or close a valve, do not force it, but immediately request the assistance of the technical service personnel.

Cleaning the enamelled parts: Enamelled parts should be cleaned frequently with soapy water. Never use abrasive powder. Do not leave acidic or alkaline substances on the enamelled parts (such as vinegar, lemon juice, salt, tomato sauce, etc.) and do not wash the enamelled parts while they are still hot.

Cleaning the stainless steel parts: Clean the parts with soapy water and dry them with a soft cloth. The shine is maintained by periodically using suitable products which can be found in the supermarket. Never use abrasive powders.

Cleaning the burner caps: Lift the burner caps from the burner heads and wash them in soapy water and dry thoroughly. Before replacement on the burner head ensure that the holes are not clogged.

Cleaning the glass ceramic: Warning: Do not use any kind of cleaner on the glass while the surface is hot, use only the razor blade scraper. The resulting fumes can be hazardous to your health. Heating the cleaner can chemically attack and damage the surface.

Clean the surface when it is completely cool with the following exception: remove dry sugar, sugar syrup, tomato products and milk immediately with the razor blade scraper.

Wipe off spatters with a clean, damp sponge or a paper towel. Rinse and dry. Use white vinegar if smudge remains; rinse.

Apply a small amount of the glass ceramic cooktop cleaner. When dry, buff surface with a clean paper towel or cloth.

TYPE OF STAIN	WHAT TO DO	ACCESSORIES or AGENTS EMPLOYED
Minor	Soak the area to be cleaned with soapy water, then wipe it.	Cleaning sponges & mild detergents
Accumulated burnt-on stains	Soak the area to be cleaned with warm soapy water. Use a special scraper for vitroceramic glass to remove grease and food particles. Finish off with a cleaning sponge, then wipe it clean.	Cleaning sponges, mild detergents and cleaning agents for vitroceramic glass
	Apply warm white vinegar on the stain. Let	Cleaning cloth, white vinegar, or

Rings and traces of lime scale	it sit, then wipe off with a soft cloth. OR Use a commercial cleaner on affected area. Note that such cleaner may leave stains on stainless steel frame, thus protect exposed stainless steel.	diluted descaling agent.
Burnt-on stains following sugar spillage, melted aluminum or plastic.	- Apply special vitroc ceramic glass cleaner on the surface, preferably one which contains silicone (protective action).let it sit, then finish off with a cleaning sponge, then wipe it clean.	Vitroc ceramic cleaning agents and sponge.

Allowable: Non-abrasive Paste - Ordinary Sponge or Special Sponge for Delicate Items

Not allowable: Abrasive-backed sponge - Powder

Troubleshooting

You have doubts about whether your cooktop is working correctly this does not necessarily mean there is a breakdown. Nevertheless, check the following points

PROBLEMS	POSSIBLE CAUSES	WHAT SHOULD YOU DO?
When you switch the unit on the supply-line breaker trips off or the supply-line fuse burn	Your unit may be connected incorrectly, or there is an internal problem	Have the connection checked first, if ok contact your service agent.
Your cooktop makes a faint clicking noise when in operation	This noise occurs when the power is being shared between two induction elements	This is a normal occurrence
The unit doesn't work at all	There may be a power supply or internal problem	Check your breakers /fuses/connection cable If ok contact your service agents
After turning an element ON, and having a pot /pan placed on the element, there is no heat and the digital indicator continues flashing	The pot/pan you are trying to use is not suitable with induction cooking or its diameters is under 10 cm (4")	Use another piece of cookware suitable for induction cooking
Cookware makes noise during cooking	Your cookware create noise from vibrations caused by induced current	Under high power this phenomenon is normal with some types of pots and pans. There is no danger for the cooktop
The cooktop gives off a smell when first used for cooking	A new unit	Use each heating element for an hour with a pan filled with water

Servicing of an induction unit is to be done by an authorized service agent. Contact your dealer for service location closest to your residence. Never try servicing the unit yourself.

If any crack on the vitroc ceramic glass can be noticed, or the glass is broken DO NOT USE THE UNIT.

Disconnect the electrical supply to the unit by tripping the breaker off (if the unit is hardwired to the supply) or just unplug the unit (if there is a plug on the supply cable).

**BELANGRIJK: BEWAAR VOOR GEBRUIK DOOR LOKALE ELEKTRISCH CONTROLEUR.
LEES EN BEWAAR DEZE INSTRUCTIES VOOR TOEKOMSTIG GEBRUIK.
NEEM LOKALE NORMEN EN DISCIPLINES IN ACHT**

WAARSCHUWING: Als de informatie in deze handleiding niet exact opgevolg wordt, kan dit resulteren in brand of een explosie welke kunnen resulteren tot schade, persoonlijk letsel of overlijden van personen.

Bewaar en/of gebruik geen vlambare vloeistoffen of gassen in de buurt van dit apparaat.

WAT TE DOEN WANNEER U GAS RUIKT

- **Probeer niet om een apparaat te ontsteken**
- **Raak geen elektrische knoppen of schakelaars aan.**
- **Gebruik geen telefoon in uw gebouw.**
- **Neem contact op met uw gasleverancier via de telefoon van uw burea. Volg de instructies van de gas leverancier op.**
- **Indien de gasleverancier onbereikbaar is, neem contact op met de brandweer.**

Installatie en technisch onderhoud dient te gebeuren door gekwalificeerd personeel.

Lees deze handleiding aandachtig door alvorens het apparaat te installeren en te gebruiken.



Dit apparaat is voorzien van een merkteken zoals bedoeld in de Europese Richtlijn 2002/95/EG
Dit apparaat is voorzien van een merkteken zoals bedoeld in de Europese Richtlijn 2002/96/EG
betreffende afgedankte elektrische en elektronische apparatuur (AEEA).

Deze richtlijn legt de bepalingen vast voor de inzameling en de recycling van afgedankte
apparatuur die op heel het grondgebied van de Europese Unie gelden.

**De fabrikant is niet verantwoordelijk voor schade aan goederen of personen veroorzaakt door
onjuiste installatie of gebruik van het apparaat.**

De fabrikant behoudt zich het recht voor wijzigingen aan zijn producten aan te brengen indien hij dit nuttig en
noodzakelijk acht, steeds met waarborg van de eigenschappen van veiligheid en functionering.

Dit apparaat is ontworpen voor niet-professioneel gebruik. Alleen voor huishoudelijk gebruik.



WARNING

NEVER use this appliance as a space heater to heat
or warm the room. Doing so may result in carbon
monoxide poisoning.

WAARSCHUWING: gebruik dit apparaat nooit
om een ruimte verwarmen. Dit kan resulteren in koolstof monoxide vergiftiging.

INHOUD:

Installatie instructies.....	pag.17
Informatie voor de installateur.....	pag.17
Plaatsen van de kookplaat.....	pag.17
Belangrijke afmetingen.....	pag.18
Monteren van de kookplaat.....	pag.18
Gasaansluiting	pag.19
Belangrijke informatie.....	pag.19
Ventilatie van de ruimte.....	pag.19
Plaatsing en ventiatie.....	pag.19
Aansluiting op het gasnet	pag.19
Electrische aansluiting.....	pag.19
Ruimte ventilatie.....	pag.20
Vervangen van sproeiers.....	pag.20
Regeling van de branders.....	pag.20
Omschrijvingen.....	pag.20
Technisch onderhoud	pag.21
Gebruikshandleiding.....	pag.21
Gebruik branders.....	pag.22
Gebruik van de inductiezones	pag.23
Schoonmaken	pag.27
Oplossen van problemen.....	pag.28
Afbeeldingen.....	pag.29

Voor de installatie

Wanneer u dit apparaat ontvangt via een transporteur, is het uw verantwoordelijkheid om de verpakking te controleren en bij schade dit te noteren op de pakbon. Pak na de levering van uw kookplaat deze voorzichtig uit en controleer de kookplaat op schade. Indien u een schade opmerkt, neem direct contact op met uw dealer of distributeur. Ondanks dat de verantwoordelijkheid bij de transporteur ligt, zal uw dealer/distributeur u helpen om tot een snelle oplossing te komen.

Indien de kookplaat niet op korte termijn zal worden geïnstalleerd dient u deze te bewaren in de originele verpakking op een droge en veilige plaats.

Lees aandachtig de installatie instructies door en zie er op toe dat aan alle eisen kan worden voldaan.

Controleer dat de aansluiting voor de elektra in orde is.

INSTALLATIE INSTRUCTIES

Dit apparaat dient geïnstalleerd te worden door gekwalificeerd personeel, en volgens de instructies opgelegd door de fabrikant.

BELANGRIJK: dit apparaat dient aangesloten te worden volgens de geldende lokale normen.

INFORMATIE VOOR DE INSTALLATEUR

De installatie, de regelingen, de veranderingen en het onderhoud die in deze afdeling zijn aangeduid moeten uitsluitend door gekwalificeerd personeel verricht worden. Een verkeerde installatie kan schade veroorzaken aan personen, dieren of voorwerpen, t.o.v. welke de fabrikant niet aansprakelijk gesteld kan worden. De veiligheidsinrichtingen of de automatische regeling van de apparaten tijdens het leven van de installatie kunnen uitsluitend door de fabrikant of door de bevoegde geautoriseerde leverancier veranderd worden.

Plaatsen van de kookplaat

Na de verschillende onderdelen uitgepakt te hebben, controleer of het apparaat ongeschonden is. Controleer of de gastype waar de kookplaat op werkt overeen komt met het gastype waar u de kookplaat op wilt aansluiten. Het label met informatie bevindt zich aan de onderkant van de kookplaat. Bij twijfel: gebruik het apparaat niet en roep assistentie in van gekwalificeerd personeel.

De verpakingscomponenten (polystyrool expans, zakjes, karton, spijkers, enz.) zijn gevaarlijke voorwerpen en moeten buiten bereik van kinderen blijven.

Maak volgens de afmetingen van het apparaat een gat in het werkvlak (zie fig 1- 2).

Indien uw werkblad is gemaakt van poreus materiaal welke kan zwellen wanneer het in contact komt met damp en water, kunt u beter een goede afdichting gebruiken op de randen van de opening in het blad welke penetratie van damp en water kunnen voorkomen.

Vlak alle zichtbare randen of decoratieve laminaten af om verdere schade te voorkomen.

Rond de hoeken van de opening af en schuur ze glad om schade aan de hoeken en een geforceerde plaatsing van de kookplaat te voorkomen.

Belangrijke afmetingen:

1. Afstand tot afzuigkap (minimum afstand)

De minimum afstand tot de afzuigkap moeten overeenkomen met de aangegeven waarden in tabel 1 en in fig 1-2

Afzuigkappen en ventilatie dienen te worden geïnstalleerd in overeenkomst met de instructies van de desbetreffende fabrikant. De afstand tot de afzuigkap mag echter in geen geval minder zijn dan 650mm.

Elk ander ontvlambaar materiaal lager dan 600mm boven de kookplaat moet beschermd zijn over de gehele lengte en diepte van het kookvlak. In geen geval mag de afstand minder dan 450 mm zijn.

Maximum diepte van eventuele bovenkastjes is 330mm.

2. Afstand tot zijmuur (minimum afstand)

De minimum afstand tot een zijwand dient overeen te komen met de aangegeven waarden in tabel 1 en in fig 1-2.

Het kookoppervlak is gedefinieerd als het deel van het apparaat waar het koken normaal gesproken plaats vind, en betreft niet het bedieningspaneel van het apparaat.

Tabel n.1

<i>Min. Afstanden</i>	<i>mm</i>
L1	500
L2	40
L3	70
L4	457
L5	610
L6	330
L7	925
L8	40
L9	172

<i>Min. Afstanden</i>	<i>mm</i>
L10	870
L11	915
W	890
D	520
B1 (*)	60*
B2 (*)	152*
B3 (*)	60*
B4 (*)	152*

(*) Let op:

-B1 is de min. afstand tussen de voorkant van de kookplaat en de voorkant van de kast/aanrecht

-B2 en B4 zijn de min. afstanden tussen de linker/rechterkant van de kookplaat en een zijmuur (indien aanwezig).

-B3 is de min. afstand tussen de achterkant van de kookplaat en de achterwand.

Monteren van de kookplaat in het werkvlak

Om het lekken van vloeistoffen in het onderliggend meubelstuk te voorkomen, is het apparaat voorzien van een speciale pakking. Om deze pakking aan te brengen, volg aandachtig de volgende instructies:

- 1) Strek de verzegelingspakking uit langs de opening in het werkblad en zorg dat de verbindingpunten op elkaar komen te liggen (fig.3)
- 2) Plaats de kookplaat in de ruimte van het meubelstuk
- 3) Monteer met een schroevendraaier de 4 plaatjes middels de passende schroef (fig. 4A - 4B)
- 4) Schuif de haakjes in de juiste positie en bevestig ze door de schroef vast te schroeven
- 5) Snij het pakkingsgedeelte dat aan de buitenkant van de kookplaat uitsteekt af.

GAS AANSLUITING

Alvorens de kookplaat aan te sluiten aan de gasleiding, dient u eerst de plastic plug te verwijderen uit de aansluiting op de kookplaat. Deze kunt u er gewoon uit trekken.

BELANGRIJKE WAARSCHUWINGEN VOOR DE INSTALLATIE VAN HET APPARAAT

Dit kookvlak is van het type Y zodat het vrij afzonderlijk geïnstalleerd kan worden, of tussen keukenmeubels of tussen een meubelstuk en een muurwand. De achterwand en de omringende oppervlakten moeten weerstand kunnen bieden aan een overtemperatuur van 65 K.

Om te voorkomen dat de geplastificeerde platen die het meubelstuk bekleden zich loslaten, moet de lijm die ze aan elkaar vastplakt weerstand bieden aan temperaturen niet lager dan 150°C.

De installatie van het apparaat moet geschieden met inachtneming van de plaatselijke nationale normen en in een goed geventileerde ruimte.

Het apparaat is niet aangesloten op inrichtingen voor de ontruiming van verbrandingsproducten. Het moet dus aangesloten worden in overeenstemming met de hierboven aangeduide installatienormen.

Vooraf de normen voor de ventilatie van de ruimte dienen gevolgd te worden.

VENTILATIE VAN DE RUIMTE

Om het apparaat goed te laten functioneren, is het noodzakelijk dat de ruimte waarin het geïnstalleerd is

steeds goed geventileerd is. Het volume van de ruimte moet niet minder dan 25 m³ zijn en de nodige hoeveelheid lucht moet gebaseerd worden op een regelmatige verbranding van het gas en op de ventilatie van de ruimte.

De normale toevoer van lucht dient te gebeuren door permanente openingen in de wanden van de te ventileren ruimte: deze openingen zijn met de buitenkant verbonden en moeten een minimum doorsnede

hebben van 100 cm² (zie fig. 2). De openingen moeten zo gemaakt worden dat ze niet verstopt kunnen raken.

PLAATSING EN VENTILATIE

De op gas werkende kookapparaten moeten de verbrandingsgassen ontruimen door middel van op schoorstenen, op rookpijpen of rechtstreeks met de buitenkant verbonden afzuigkappen (zie fig. 3).

Indien geen kap geplaatst kan worden, is het gebruik van een ventilator, geïnstalleerd op een venster of rechtstreeks met de buitenkant verbonden toegestaan; de ventilator moet tezamen met het apparaat in werking gesteld worden (zie fig. 4), mits de nationale normen inzake de ventilatie van de ruimte in acht genomen zijn.

AANSLUITING VAN HET APPARAAT OP HET GASNET

Alvorens het apparaat op het gasnet aan te sluiten, verwijder eerst de plastic beschermingsplug van het gascircuit welke onder druk in de ingangsverbindingstuk gestoken is; om deze plug te verwijderen kunt u deze los schroeven.

Controleer daarna of de gegevens van het typeplaatje dat aan de onderkant van de bak geplaatst is, overeenkomen met die van het gasnet.

Een etiketje geplaatst op de laatste pagina van dit boekje en op de onderkant van de bak, geeft de regelingsvoorwaarden aan van het apparaat: soort gas en werkingsdruk.

BELANGRIJK: Dit apparaat moet geïnstalleerd worden in overeenstemming met de nationale bestaande normen en mag alleen in goed geventileerde ruimten gebruikt worden.

WAARSCHUWING: Het verbindingstuk van ingang van het gas is voorzien van een 1/2 gas cilindrische schroefdraad volgens UNI-ISO 228-1 (zie fig. 10).

ELECTRISCHE AANSLUITING

Het apparaat is uitgerust met een 1.2 m. flexibele metalen kabel met 3 draden voor een connectie aan een 4 draden geaarde groep (fig. 8).

Voltage 240 V a.c., Frequentie 60Hz. Aansluitwaarde: 3700W /15,5 A

Bruine draad: aansluiten op L1 (fase)

-----: aansluiten op L1 (fase)

Blauwe draad: aansluiten op N (neutraal)

Geel/Groene draad: aansluiten op aarde

De oven dient op een aparte 20 A groep te worden aangesloten.

RUIMTE VENTILATIE

LET OP: Een afvoer fan kan gebruikt worden met het apparaat; in elk geval dient dit geïnstalleerd te worden in overeenkomst met de lokale geldende normen.

LET OP: Het gebruik van een afzuigkap kan invloed hebben op andere ventilatie apparaten; in elk geval dient dit geïnstalleerd te worden in overeenkomst met de lokale geldende normen.

- VERVANGEN VAN SPROEIERS VOOR GEBRUIK VAN ANDERE GASOORTEN:

Verwijder de branders en schroef de sproeiers los (fig. 9) met een sleutel van 7 mm en vervang de sproeiers voor degene welke geschikt zijn voor de nieuwe gassoort, overeenkomstig met de informatie in tabel A.

TABEL A

Brander	Diameter sproeier	Gas	Druk	Max vermogen				Min vermogen		By-pass afmeting	
				Type	[mbar]	g/h	l/h	kw	kcal/h		kw
Semi-snel	192	Stad G110	8	-	397	1,75	1505	0,44	378	31 reg.	
	101	Aardgas G20	20	-	167	1,75	1505	0,44	378	31 reg.	
	66	Butaan G30	30	127	-	1,75	1505	0,44	378	31	
	66	Propaan G31	37	125	-	1,75	1505	0,44	378	31	
Snel	280	Stad G110	8	-	681	3	2580	0,75	645	42 reg.	
	129	Aardgas G20	20	-	286	3	2580	0,75	645	42 reg.	
	87	Butaan G30	30	218	-	3	2580	0,75	645	42	
	87	Propaan G31	37	214	-	3	2580	0,75	645	42	
Wok brander	Binnen	130	Stad G110	8	-	181	0,8	688	0,3	258	27 reg.
		70	Aardgas G20	20	-	76	0,8	688	0,3	258	27 reg.
	Buiten	46	Butaan G30	30	58	-	0,8	688	0,3	258	27
		46	Propaan G31	37	57	-	0,8	688	0,3	258	27
Wok brander	Buiten	N°2 x 300	Stad G110	8	-	885	3,9	3354	1,8	1548	65 reg
		N°2 x 110	Aardgas G20	20	-	419	4,4	3784	1,8	1548	65 reg
		N°2 x 69	Butaan G30	30	298	-	4,1	3526	1,8	1548	65
		N°2 x 69	Propaan G31	37	293	-	4,1	3526	1,8	1548	65

REGELING VAN DE BRANDERS

1) Regeling van de "MINIMUMSTAND" van de branders

Om de minimumstand van de branders aan te passen, gaat u als volgt te werk:

- 1) Steek de brander aan en zet de knop op positie MINIMUM (kleine vlam).
- 2) Verwijder de knop (fig. 11) van de kraan.
- 3) Gebruik een kleine schroevendraaier langs het staafje van de kraan op het werkvlak bij de (vergulde) schroef die zich op de onderste kant van de kraan bevindt (fig. 11) en draai de schroef naar rechts of naar links totdat de vlam van de brander passend op de MINIMUMSTAND is geregeld.
- 4) Zie er op toe dat de vlam niet uitgaat bij het snel passeren van de MAXIMUMSTAND naar de MINIMUMSTAND.

LET OP: De genoemde regeling moet verricht worden bij branders die op aardgas en stadsgas lopen (waar voorzien), terwijl bij branders die op vloeibaar gas lopen, de schroef volledig naar rechts gedraaid en geblokkeerd moet worden.

OMSCHRIJVINGEN

Zie fig.9

1. Wokbrander
2. Snelle brander
3. Achterse inductiezone
4. Voorste inductiezone
5. Semi-snelle brander
6. Wokbrander buiten bedieningsknop
7. Wokbrander binnen bedieningsknop

8. Snelle brander bedieningsknop
9. Semi-snelle brander bedieningsknop
10. Voorste inductiezone bedieningsknop
11. Achterste inductiezone bedieningsknop

TECHNISCH ONDERHOUD VAN HET APPARAAT

Vervanging van de onderdelen

Alvorens over te gaan tot onderhoudswerkzaamheden, schakel het apparaat elektrisch uit en koppel het los van het gasnet.

Voor de vervanging van de onderdelen zoals branders, kranen en elektrische componenten dient u contact op te nemen met de service dienst.

GEBRUIKERSHANDLEIDING

BELANGRIJKE VEILIGHEIDSINSTRUCTIES

- 1 – Correcte installatie – Zie er op toe dat het apparaat correct is geaard en geïnstalleerd door gekwalificeerd personeel.
- 2 – Gebruik nooit het apparaat om een ruimte te verwarmen.
- 3 – Laat kinderen niet onbeheerd – Kinderen moeten altijd onder toezicht zijn wanneer ze in de ruimte zijn waar het apparaat wordt gebruikt. Laat kinderen nooit op het apparaat zitten of staan.
- 4 – Draag correcte kleding – Loshangende kleding moet niet gedragen worden wanneer het apparaat in gebruik is.
- 5 - Onderhoud – Repareer of vervang onderdelen van het apparaat niet zelf, tenzij specifiek aangegeven in de handleiding. Overige werkzaamheden dienen gedaan te worden door gekwalificeerd personeel.
- 6 – Bewaar geen ontvlambare materialen nabij het apparaat.
- 7 – Gebruik geen water om een vlam in de pan te blussen – Doe de deksel op de pan, of gebruik droge chemicaliën, of gebruik een schuim type branblusser om het vuur te doven.
- 8 – Gebruik alleen droge pannenlappen – Natte of vochtige pannenlappen kunnen brandwonden veroorzaken door stoom, wanneer deze in aanraking komen met een hete pan. Laat pannenhouders niet de warme elementen aanraken. Gebruik geen handdoek of een ander ongeschikt materiaal.
- 9 – Gebruik pannen met de juiste diameter – Dit apparaat is voorzien van meerdere inductie elementen met verschillende afmetingen. Gebruik pannen met een vlakke bodem welke groot genoeg zijn om de gehele inductie zone te bedekken. Dit is ook beter voor de efficiëntie van uw kookplaat.
- 10 – RAAK DE KOOKPLAAT NIET AAN – Het oppervlak van de kookplaat kan warm zijn, ook al zijn ze donker van kleur. Gebeiden nabij de kookzones kunnen ook heet genoeg worden om een brandwond te veroorzaken.
11. Verwarm geen ongeopende voedsel containers of blikken – Er kan een druk ontstaan waardoor de container kan barsten en dit kan resulteren in wonden.
12. Wanneer u kookzones op hoge standen gebruikt, blijf er dan altijd bij – Overkoken kan rook en vette klodders veroorzaken welke vlam kunnen vatten.
13. Gebruik geen aluminium materialen op de kookplaat.
14. Zorg ervoor dat hendels van (steel)pannen naar binnen zijn gedraaid, en niet uitsteken buiten het werkblad – Om het risico op brandwonden door het per ongeluk omstoten van een pan welke gebruikt wordt

voor het koken van voedsel, dient u er voor te zorgen dat de hendel van (steel)pan naar binnen is graaid en niet uitsteekt buiten het werkblad.

15. Gebruik de kookplaat niet als het werkvlak is gebroken – Als het glas is gebroken kunnen er reinigingsmiddelen en vocht door het glas in de elektronica zakken en dit kan een elektrische schok veroorzaken.

16. Let op bij het schoonmaken van het kookoppervlak – Bij gebruik van een natte spons of doek op een heet oppervlak dient u op te passen voor stoom. Sommige reinigers kunnen giftige gassen produceren wanneer het in aanraking komt met een heet oppervlak.

LET OP

Bewaar geen spullen die voor kinderen van interesse zijn boven of rond de kookplaat. Kinderen die op de kookplaat klimmen om iets te kunnen pakken, kunnen ernstig gewond raken.

WAARSCHUWING:

Houdt ontvlambare materialen, benzine en andere licht ontvlambare gassen en vloeistoffen weg van het apparaat.

Bewaar geen gevaarlijke of licht ontvlambare materialen in kastjes boven de kookplaat; bewaar deze in veilige plekken om eventuele gevaarlijke situaties te voorkomen.

Gebruik het apparaat niet voor het verwarmen van ruimtes.

Gebruik geen sprays in de buurt van het apparaat terwijl het in werking is of als delen van het apparaat nog warm zijn.

GEBRUIK VAN DE BRANDERS

Op het bedieningspaneel boven elke knop is een schema afgedrukt welke aangeeft aan welke brander de knop zich refereert.

De ontsteking van de branders kan op verschillende wijzen verricht worden al naar gelang van het type kookplaat en de desbetreffende eigenschappen.

- Ontsteking met de hand (is altijd mogelijk, ook bij stroomuitval):

Draai de knop welke overeenkomt met de gekozen brander naar links, breng hem op positie MAXIMUM (afgebeeld met een grote vlam) en ontsteek de brander met een lucifer.

- Ontsteking van branders voorzien van een veiligheidsinrichting (thermokoppel): Draai de knop welke overeenkomt met de gekozen brander naar links, breng hem op positie MAXIMUM (afgebeeld met een grote vlam), druk op de knop en activeer een van de boven omschreven ontstekingsinrichtingen. Na de ontsteking: houd de knop voor ongeveer 10 seconden ingedrukt zodat de vlam de thermokoppel verwarmt. Gaat de brander uit na het loslaten van de knop, herhaal de hele handeling.

Let op: De wokbrander bestaat uit twee branders (midden- en buitenbrander); beide branders worden afzonderlijk van elkaar ontstoken.

Let op: Controleer of de branderdeksels en vlamverdelers correct geplaatst zijn alvorens de brander te ontsteken.

Tips voor een optimaal gebruik van de branders:

- Gebruik voor elke brander passende kookpannen (zie tabel B en fig. 17)
- Wanneer het kookpunt bereikt is, draai de knop terug naar de MINIMUM stand
- Gebruik zoveel mogelijk kookpannen met deksel.

Tabel B

Brander	Aanbevolen pan diameters (mm)
Semi-snel	(140 – 260)
Snel	(180 – 260)
Wok	(220 – 260)

Correct gebruik van pannen:

- Droog de bodem van de pan alvorens deze op de kookplaat te plaatsen.
- Gebruik pannen met een vlakke, dikke bodem, behalve voor wokken.
- Bij gebruik van de branders, zorg ervoor dat de grepen correct gepositioneerd zijn. Hou kinderen weg bij de kookplaat.
- Blijf ten alle tijde bij de kookplaat wanneer u voedsel kookt met olie en vetten (brandgevaar).

LET OP: Bij onderbreking van de elektrische netstroom, steek de branders aan met een lucifer. De ontsteking van branders voorzien van een veiligheidsthermokoppel kan alleen geschieden wanneer de knop op de MAXIMUM positie staat (grote vlam).

Let op: Het gebruik van een gaskooktoestel veroorzaakt warmte en vochtigheid in de ruimte waar het geïnstalleerd is. Het is dus noodzakelijk dat de ruimte goed geventileerd wordt, dat de openingen voor een natuurlijke ventilatie niet verstopt raken en dat de mechanische ventilatie inrichting/afzuigkap of de elektroventilator geactiveerd zijn. Een intensief en voortdurend gebruik van het apparaat kan een aanvullende ventilatie nodig maken, bv. het openen van een raam of een meer efficiënte ventilatie door verhoging van het vermogen van de mechanische afzuiginstallatie indien deze aanwezig is.

GEBRUIK VAN DE INDUCTIEZONES

Veiligheidsinstructies – Lees deze alvorens uw kookplaat te gebruiken

Uw inductie kookzones zijn ontworpen voor huishoudelijk gebruik en voor het koken van voedsel. Alle veiligheidsparameters zijn met het oog daarop ontworpen.

De kookplaat heeft diverse onderdelen en bedieningsfuncties met betrekking tot uw veiligheid. Een aantal daarvan zijn:

- Een aantal sensoren monitoren de temperatuur van de interne onderdelen. Als een van deze sensoren meten dat de temperatuur van een onderdeel te hoog oploopt, zal de stroomtoevoer naar dit onderdeel worden gereduceerd zodat het af kan koelen. Zodra afgekoeld zal de stroomtoevoer weer op normaal niveau terugkeren.
- Elk inductie element heeft een sensor welke de temperatuur van de panbodem meet, om te voorkomen dat de pan overhit kan raken.

– Elk inductie element heeft een pandetectie systeem. Dit systeem voorkomt dat het inductie element kan werken als er geen pan op de inductie zone is geplaatst. Als er geen pan op de zone staat zal het digitaal display knipperen om aan te geven dat er geen stroom naar het inductie element gaat. Zodra er een pan geschikt voor inductie op de kookplaat is geplaatst stopt het display met knipperen en wordt de pan verwarmd. Kleine objecten als een vork, juweel, etc. zullen niet herkend worden als een pan en zal het element niet in werking laten treden. Tevens herkent dit systeem of een pan wel of niet geschikt is voor inductie.

Wanneer een pan wordt gebruikt welke niet geschikt is voor inductie zal de kookzone niet in werking treden. De fabrikant behoudt zich het recht voor wijzigingen aan zijn producten aan te brengen indien hij dit nuttig en noodzakelijk acht, steeds met waarborg van de eigenschappen van veiligheid en functionering.

Gebruikers met een pacemaker of defibrillator moeten hun arts raadplegen alvorens deze kookplaat, welke gebruik maakt van inductie verwarming, te gebruiken.

Indien er een scheur in het glas van het kookoppervlak is ontstaan, dient u direct de stroomtoevoer naar de kookplaat te onderbreken, om het risico op een elektrische schok te voorkomen. Gebruik de kookplaat pas weer als de glasplaat is vervangen.

Gebruik geen aluminium folie op de kookplaat. Aluminium folie kan smelten en het glas van de kookplaat beschadigen. Dit kan niet gerepareerd worden.

Het principe van inductie

Wanneer het inductie element is aangezet, en gebruik wordt gemaakt van een pan geschikt voor gebruik met inductie, zal het inductie element een magnetisch veld creëren. De waarden van het magnetisch veld veranderen steeds waardoor in de panbodem frictie ontstaat, wat resulteert in warmte. De warmte wordt direct overgebracht in het voedsel dat wordt gekookt.

Inductie maakt de pan dus de directe warmtebron, waardoor er een hoge energie efficiency ontstaat met weinig verlies van energie en een ongekende controle over de warmte.

Voor inductie is de energie efficiency tussen 90-95%, vergeleken met 55-65% voor elektrische en halogeen elementen, en 45-55% voor gas branders. De energie efficiency geeft een contributie aan substantiële energiebesparingen, wat in het voordeel is voor zowel de gebruiker als het milieu.

Belangrijk bij inductie koken:

- a) Als er geen pan op de kookzone is geplaatst, zal de zone niet in werking treden.
- b) Als een pan gedeeltelijk op de zone staat, of als de pandiameter kleiner is dan de zone, zal er geen of minder stroom naar de zone worden geleid.
- c) Als een pan wordt verwijderd van de kookzone wordt de stroomtoevoer naar het element uitgeschakeld. De zone zal compleet worden uitgeschakeld als er binnen een minuut geen pan meer op de zone wordt geplaatst.

In vergelijking met andere kookmethodes, heeft inductiekoken weinig restwarmte, waardoor er minder ventilatie benodigd is. Het glas wordt minder heet als bij andere kookmethodes, waardoor het schoonmaken makkelijker is.

Bij gebruik van inductie kunnen bij sommige pannen een zacht piep geluid ontstaan. Dit is een normaal. Het geluid ontstaat als resultaat van vibraties veroorzaakt door de gefabriceerde krachten van inductie.

Zie het hoofdstuk "De juiste pannen voor inductie" voor het maken de keuze voor de juiste pannen.

HET INSTELLEN VAN DE INDUCTIEZONES

OFF= element is uitgeschakeld

1= laagste stand

9= hoogste stand

B= Powerboost functie

A= Verwarmingsaccelerator

Led indicatie

H = Restwarmte

B = Powerboost Functie

ⓘ = Kookplaat is ingeschakeld

Deze knoppen bedienen de inductie zones, boven elke knop is aangegeven welke zone wordt bediend door de desbetreffende knop.

Druk de knop in en draai de knop naar rechts om de juiste stand te kiezen. De standen variëren van een minimum van 1 tot een maximum van 9 (fig. 15-16)

Verwarmingsaccelerator

Elke zone heeft een verwarmingsaccelerator. Dit systeem zorgt ervoor dat de zone voor een korte tijd op de maximumstand functioneert, tot de correcte temperatuur, overeenkomend met de ingestelde stand, is bereikt.

Om de verwarmingsaccelerator aan te zetten, draai de knop naar links tot "A" is geselecteerd, en laat de knop los. Selecteer nu binnen 3 seconden een stand tussen 1 en 9.

U kunt zonder problemen de ingestelde stand verhogen, de verwarmingsaccelerator blijft dan in werking en past zich aan aan de nieuwe ingestelde stand. Wanneer u echter een lagere stand selecteert zal de verwarmingsaccelerator uitgeschakeld worden.

Powerboost

De powerboost kan op elke zone gebruikt worden, waarbij de zone continu werkt op het maximale vermogen voor maximaal 10 minuten. Deze functie kan worden gebruikt om bijvoorbeeld een grote hoeveelheid water aan de kook te brengen of de warmte onder een stuk vlees omhoog te stuwen.

Druk en draai de knop naar rechts en zet de verwarming op niveau 9, gebruik dan de knop om de "B" positie in te stellen en laat de knop los. "B" zal op de betreffende zone worden weergegeven.

Na 10 minuten wordt de stroom automatisch verminderd, en wordt de "B" led uitgeschakeld.

Echter, de boost-functie kan ten alle tijden worden uitgeschakeld door het verlagen van het verwarmingsniveau.

Wanneer de powerboost functie is geselecteerd voor een verhittingszone kan de stroomtoevoer naar een tweede zone worden beperkt om een maximale energietoevoer aan de eerste zone mogelijk te maken.

Als een pan wordt verwijderd van de kookzone terwijl de stroom is ingeschakeld, wordt de functie uitgeschakeld.

Kinderslot

De kinderbeveiliging voorkomt het inschakelen van de kookzones om ongewenste werking te voorkomen, bijvoorbeeld door kinderen. Wanneer de kinderbeveiliging is geactiveerd kunnen er geen kookzones worden gebruikt.

Het kinderslot wordt geactiveerd door de twee knoppen tegen de klok in te draaien voor meer dan 1,5 sec.

Of: een knop voor meer dan 5 sec; en minder dan 30 seconden om een foutmelding te voorkomen.

Het kinderslot wordt uitgeschakeld op de dezelfde manier.

Activatie / uitschakelen is alleen mogelijk als beide knoppen in nulstand zijn geplaatst.

De juiste pannen voor inductie

Inductie werkt alleen met bepaalde soorten pannen.

De bodem van de pan moet van ijzer of staal/ijzer zijn gemaakt, om het creëren van een magnetisch veld voor de verwarming mogelijk te maken.

De volgende materialen zijn ongeschikt voor inductie:

- glas;
- porcelein;
- klei;
- staal, aluminium of koper zonder magnetische bodem;

Om te controleren of een pan geschikt is, kunt u gewoon een magneet in de buurt van de bodem houden: als de magneet wordt aangetrokken, is de pan geschikt voor inductie koken.

De pannen welke worden gebruikt voor het koken moeten bepaalde minimale diameters hebben om werking te garanderen.

Pannen groter dan de kookzones kunnen ook worden gebruikt, maar het is belangrijk dat de bodem van de pan geen andere kookzones raakt, en dat het altijd gecentreerd op de omtrek van de kookzone is geplaatst.

Gebruik alleen pannen speciaal ontworpen voor inductie, met dikke, volledig vlakke bodem; als deze niet beschikbaar zijn, de gebruikte pannen mogen geen holle of bolle bodem hebben. (fig.16)

Restwarmte

Elke zone heeft een waarschuwingsmechanisme voor restwarmte. Nadat een kookzone is uitgeschakeld kan er een 'H' verschijnen op het display. Dit geeft aan dat de betreffende zone nog heet is. De zone kan weer gebruikt worden, ook al wordt de letter 'H' aangegeven.

Attentie:

Zorg ervoor dat u geen suiker of zoete mengsels morst op de kookplaat tijdens het koken, of om materialen of stoffen die zouden kunnen smelten (plastic of aluminiumfolie) op de kookplaat te plaatsen; indien dit wel gebeurt, om schade aan het oppervlak te voorkomen, zet de verwarming direct uit en maak het oppervlak schoon met de bijgeleverde schraper, terwijl de kookzone nog warm is. Als de keramische glasplaat niet onmiddellijk wordt gereinigd, kunnen residuen vormen die niet meer kunnen worden verwijderd wanneer de kookplaat is afgekoeld.

Belangrijk!!

Houdt kinderen in de gaten, aangezien het onwaarschijnlijk is dat zij de restwarmte indicaties kunnen zien.

De kookzones blijven na gebruik nog een tijd lang heet, zelfs als deze uitgeschakeld zijn. Zie er op toe dat kinderen de plaat niet kunnen aanraken.

WAARSCHUWING: Gebruik nooit aluminium folie of plastic bakken om voedsel in te bewaren tijdens het koken op de inductiezones.

WAARSCHUWING: Raak het kookgedeelte niet aan zolang de indicatie “restwarmte” wordt weergegeven; dit betekent dat de glasplaat nog heet is.

WAARSCHUWING: Plaats geen pannen op de kookplaat welke geen vlakke en gladde bodem hebben.

WAARSCHUWING: Wanneer er een scheur is ontstaan in het glas, ontkoppel de kookplaat van het stroomnetwerk en neem contact op met de service dienst.

WAARSCHUWING: Laat geen objecten op de kookplaat vallen om glasbreuk te voorkomen.

WAARSCHUWING: Gebruik de kookplaat niet als extra werkblad ruimte.

Matching Pots & Pans with Elements, etc.

Afmetingen pannen

Voor alle 14,5 cm zones geldt:

- Geschikt voor gebruik van kleine pannen, maar niet kleiner dan 10 cm
- Geschikt voor slow cooking sudderen (sauzen, room, etc.);
- Geschikt voor kleine porties.

Minimum 10cm pannen, maximum 25cm pannen.

Bij het koken van grote porties, is het beter om een grote diameter pan te gebruiken om een groot gedeelte van het element te gebruiken. Des te beter wordt de warmte verspreid.

Zorg ervoor dat wanneer het middelste element wordt gebruikt, de diameter van de pan groot genoeg is om de gehele zone te gebruiken.

Wat te doen en wat niet te doen:

- Centreer de pannen in het midden van de zone.
- Voorkom dat u de glasplaat hard raakt met pannen of andere harde objecten. De glasplaat is breekbaar.
- Pak de pannen op wanneer u deze verplaatst naar een andere zone. Wanneer u ze over de glasplaat schuift kunnen er krassen ontstaan, en kunnen de markeringen verwijderd worden.
- Voorkom het gebruik van pannen met een stroeve en vervormde bodem.
- Laat geen metalen objecten achter op de kookplaat, zoals messen en vorken. Deze zouden heet kunnen worden als ze in de nabijheid van een in werking gestelde zone worden gelegd.
- Bewaar geen ontvlambare producten in de kastjes onder uw kookplaat.
- Laat nooit een lege pan op een inductie zone staan, ook niet als de zone uit staat.
- Gebruik alleen het maximum vermogen voor het aan de kook brengen van water of voor het bakken.
- Probeer nooit een dicht blik te verwarmen.
- Voorkom het voorverwarmen van een pan met anti-aanbaklaag (van bijvoorbeeld teflon) op maximaal vermogen.
- Bewaar geen solide en zware objecten boven uw kookplaat. Deze kunnen vallen en de glasplaat beschadigen.

De kookplaat mag nooit gebruikt worden als opslagplaats.

Plaats geen andere apparaten op de kookplaat, en laat geen kabels over de kookplaat heen lopen. De beschermende laag van de kabels kan smelten en dit kan resulteren in verwondingen en schade aan materiaal.

Aanbevolen kook standen

GERECHT	KNOP POSITIE
Smelten	
Chocolade, chocolade coating, boter	1-2
Verwarmen	
Bevroren groenten	2-4
Bouillon	8-9
Dikke soep	2-3
Melk (zonder deksel)	1-2
Suddereren	
Delicate saus	7-8
Spaghetti saus	2-3
Vlees	5-7
Vis (zonder deksel)	6-8
Koken	
Rijst	3-4
Aardappel in de schil	5-7
Gekookte aardappelen	5-7
Verse groenten	5-7
Bevroren groenten	5-7
Pasta	8-9
Pudding (zonder deksel)	7-8
Granen	3-4
Bakken	
Karbonade	8-9
Kippenborst	6-7
Bacon	8-9
Eieren	7-8
Vis	8-9
Pannenkoeken	8-9

SCHOONMAKEN:

Gebruik nooit schurende schoonmaakmiddelen

Alvorens over te gaan tot het schoonmaken van de kookplaat, verwijder de stekker uit het stopcontact en draai de algemene gaskraan dicht.

Schoonmaken van het werkvlak: maak de branderdeksels, de geëmailleerde stalen roosters, de geëmailleerde deksels en de vlamverdelers regelmatig schoon met lauw zeepsop, spoelen en droog daarna goed af.

Verwijder eventueel uit de kookpannen overgelopen vloeistof met een doekje.

Indien het openen en het sluiten van een kraan moeilijk is, forceer deze niet, maar roep meteen assistentie in van de servicedienst.

Schoonmaken van de geëmailleerde onderdelen: om de geëmailleerde onderdelen intact te houden, maak ze vaak schoon met zeepsop.

Gebruik nooit bijtende reinigingsmiddelen.

Zorg dat op de geëmailleerde onderdelen geen zure of alkalische stoffen achterblijven (azijn, citroensap, zout, tomatensap, enz.) en was de geëmailleerde onderdelen niet wanneer ze nog warm zijn.

Schoonmaak van de inoxstalen (RVS) onderdelen: Maak deze onderdelen schoon met zeepsop en droog ze daarna af met een zachte doek.

De glans wordt behouden door ze regelmatig te boenen met passende producten welke in een supermarkt of drogist te vinden zijn. Gebruik nooit bijtende reinigingsmiddelen.

Schoonmaken van de vlamverdelers van de branders: De vlamverdelers liggen los op de kookplaat en kunnen gemakkelijk verwijderd worden. Haal ze uit hun plaats en maak ze schoon met zeepsop. Droog ze daarna goed af en na gecontroleerd te hebben dat de gaten niet verstopt zijn kunt u ze weer correct terugplaatsen op de kookplaat. Controleer dat de losse onderdelen van de branders goed op hun plaats liggen.

Reinigen van de glasplaat: Waarschuwing: Gebruik geen reinigingsmiddelen op het glas terwijl de oppervlakte warm is, gebruik alleen de meegeleverde schraper. De resulterende dampen van een reinigingsmiddel kunnen gevaarlijk zijn voor uw gezondheid. Verwarmen van reinigingsmiddelen kunnen tevens chemische aanvallen en beschadigingen op het oppervlak aanbrengen.

Reinig het oppervlak wanneer het volledig afgekoeld is met de volgende uitzondering: verwijder onmiddellijk droge suiker, suikerstroop, tomaat en melk met de schraper.

Veeg spatten met een schone, vochtige spons of een papieren handdoek. Spoel en droog. Gebruik witte azijn als vlekken blijven en spoel nogmaals. Breng een kleine hoeveelheid van de keramische kookplaat reiniger aan. Wanneer het droog is, wrijf het oppervlak met een schone doek of keukenrol.

TYPE VLEK	WAT TE DOEN	REINIGINGSMIDDELEN
Klein	Maak de plek schoon met water en zeep, en droog het af.	Schoonmaakspoons en milde reinigers.
Ingebrande vlekken	Maak de plek schoon met water en zeep. Gebruik een schraper om voedselresten en vetten te verwijderen. Maak het daarna schoon met een spons en droog het af.	Schoonmaakspoons en milde reinigers, en reinigers voor keramisch glas.
Ring en kalkaanslag	Breng warme azijn aan op de vlek en laat het inwerken. Verwijder dit daarna met een zachte doek. OF Gebruik een commerciële reiniger op de vlek. Zulke reinigers kunnen het RVS frame aantasten, dus pas hier mee op.	Schoonmaakdoek, azijn, of commerciële reiniger.
Ingebrande suikervlekken, gesmolten aluminium of plastic.	- Gebruik speciale keramische glas reinigers op het oppervlak, bij voorkeur een met een welke een beschermende siliconenlaag aanbrengt. Laat het inwerken, dan inwrijven met een schoonmaakspoons, en maak het schoon.	Schoonmaakspoons en reinigers voor keramisch glas.

Toegestaan: Niet-schurende pasta – Gewone spons, of spons voor delicate materialen.

Niet toegestaan: Schuurspoons, poeder.

OPLOSSEN VAN PROBLEMEN

Wanneer u twijfelt of de kookplaat goed functioneert, betekent dit niet direct dat er een storing is. Controleer de volgende punten:

PROBLEEM	MOGELIJK OORZAAK	OPLOSSING
Wanneer de kookplaat wordt ingeschakeld gaat er in de groepenkast een stop uit.	Mogelijk is de kookplaat niet goed aangesloten, of er is een intern probleem.	Laat de aansluiting van de kookplaat controleren. Als deze goed is, neem contact op met de service dienst.
De kookplaat maakt klik geluiden terwijl deze in werking is.	Dit geluid komt voor wanneer de stroom wordt verdeeld over meerdere elementen.	Dit is normaal.
De kookplaat werkt helemaal niet.	Wellicht is er een probleem met de stroomtoevoer, of een intern probleem.	Controleer de stekker en stoppen. Indien in orde, neem contact op met de service dienst.
Na het inschakelen van een element en het plaatsen van een pan is er geen warmte en het display knippert.	De pan is niet geschikt voor inductie, of de pan is kleiner dan 10 cm in diameter.	Gebruik een andere pan welke geschikt is voor inductie of een grotere diameter heeft.
Kookplaat maakt geluid tijdens koken.	De pan op de kookplaat kan geluiden maken door vibraties veroorzaakt door inductie.	Bij gebruik van veel vermogen is dit normaal bij sommige pannen. Dit geeft geen problemen voor de kookplaat.
Er komt een rare lucht uit de kookplaat bij het eerste gebruik.	Een nieuwe kookplaat	Gebruik elk element voor een uur met een pan water erop.

Technisch onderhoud en reparaties dienen gedaan te worden door gekwalificeerd personeel. Neem contact op met uw dealer en/of service dienst. Probeer nooit de kookplaat zelf te repareren.
Bij een scheur of breuk in de kookplaat, **GEBRUIK DE KOOKPLAAT NIET**. Verbreek de stroomtoevoer naar de kookplaat en neem contact op met de service dienst.

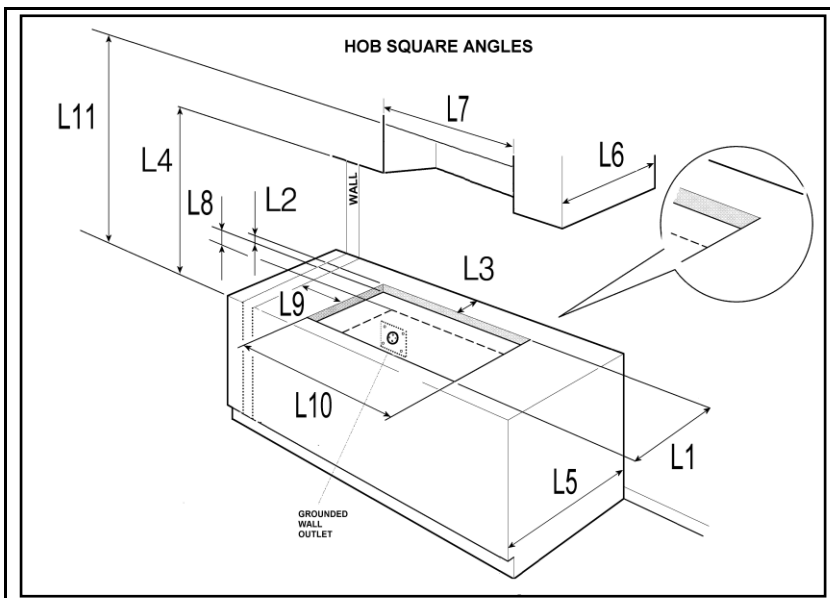


Fig 1

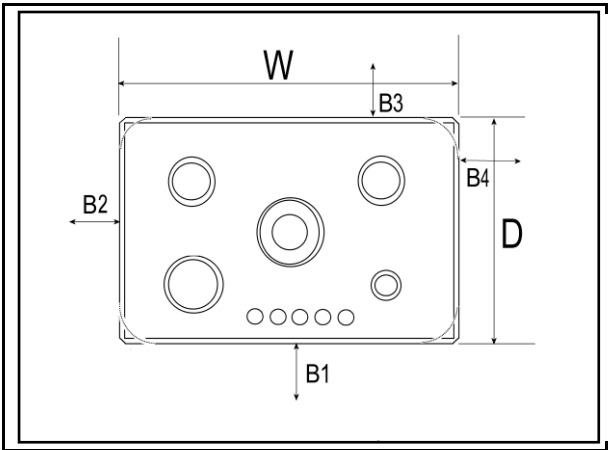


Fig 2

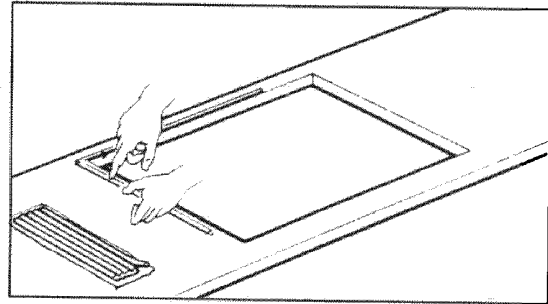


Fig.3

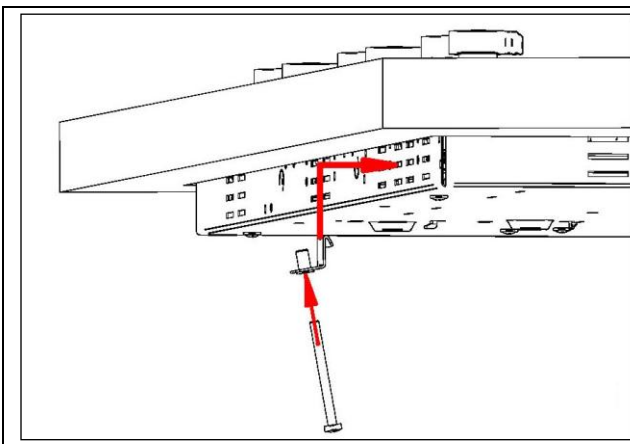


Fig. 4A

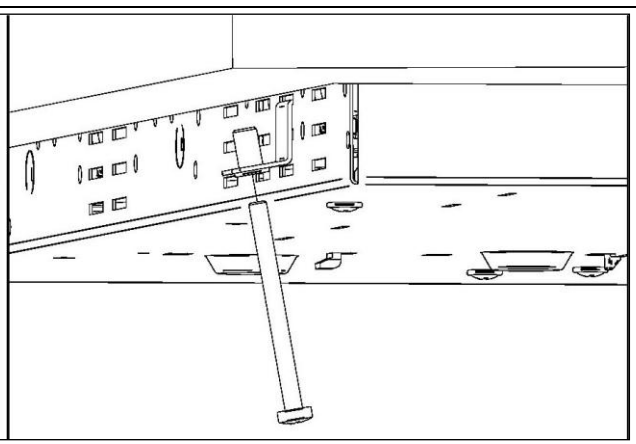


Fig. 4B

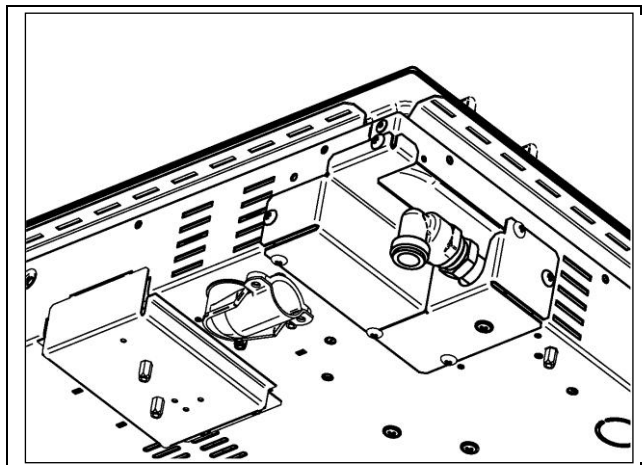
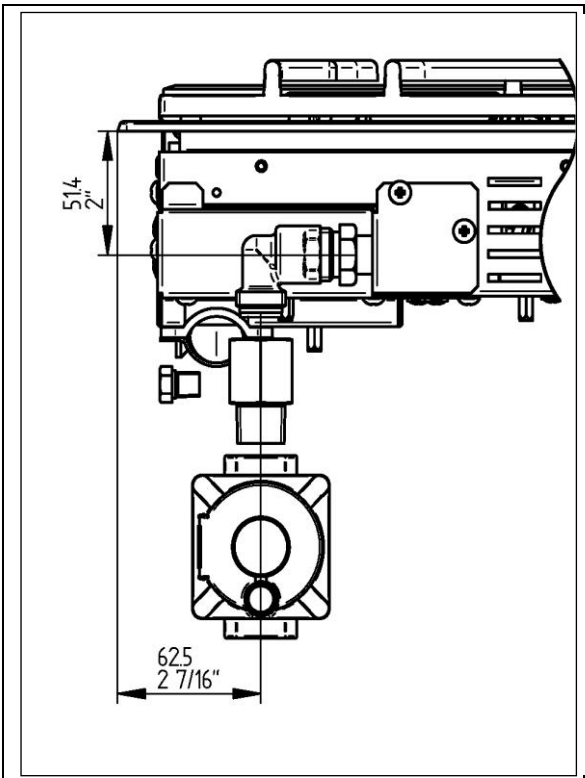


Fig.5

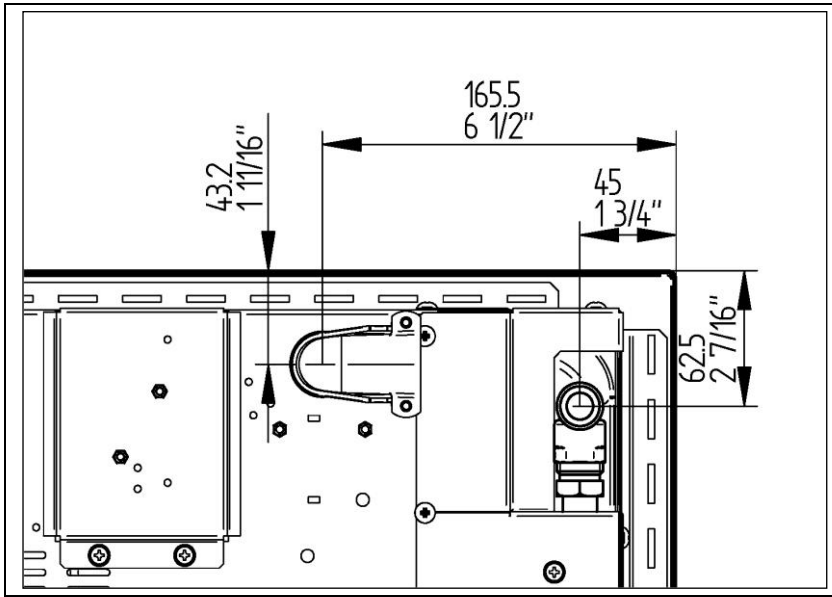


Fig.6

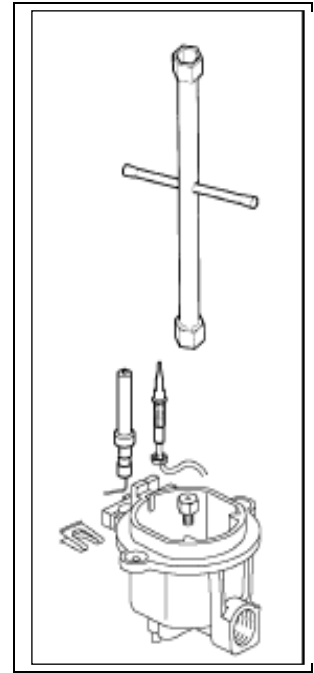


Fig.7

Fig.8

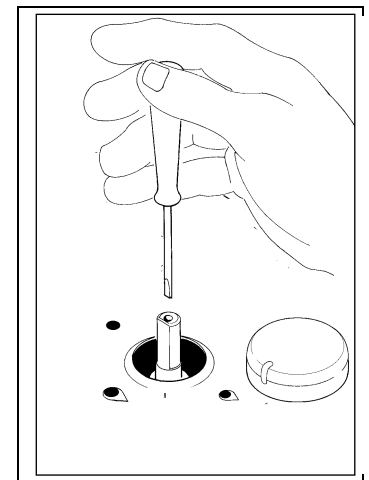
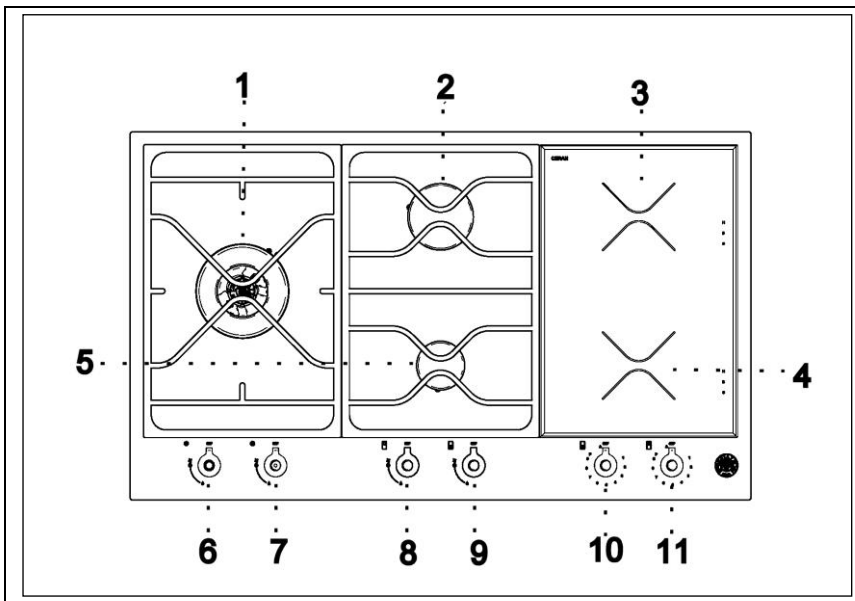


Fig.9

Fig.10

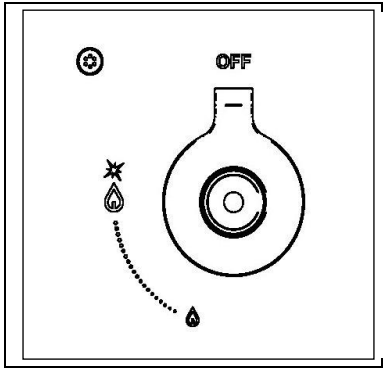


Fig.11

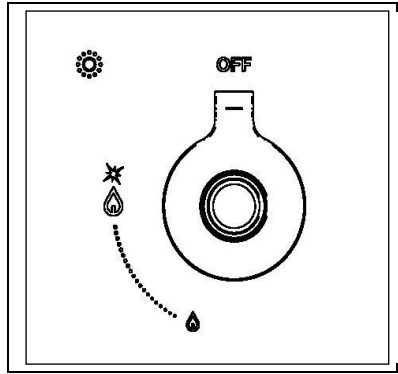


Fig.12

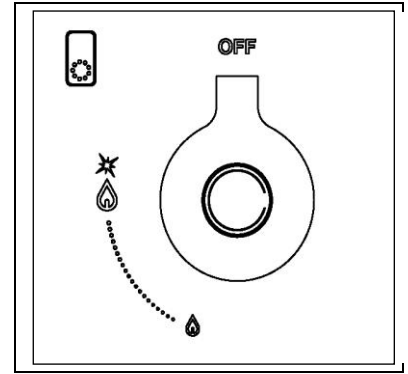


Fig.13

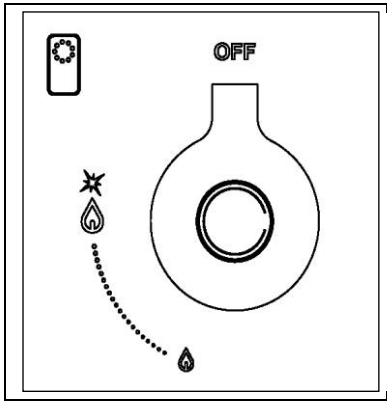


Fig.14

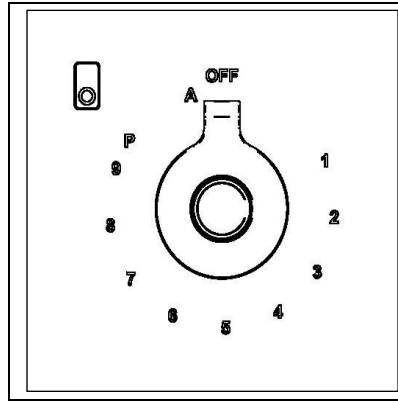


Fig.15

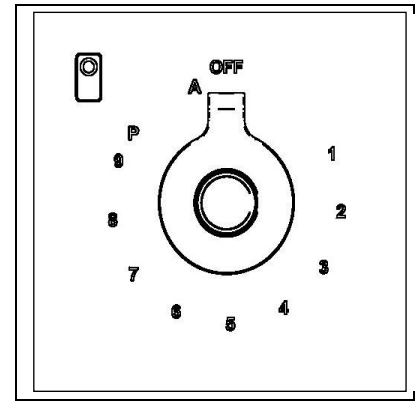


Fig.16

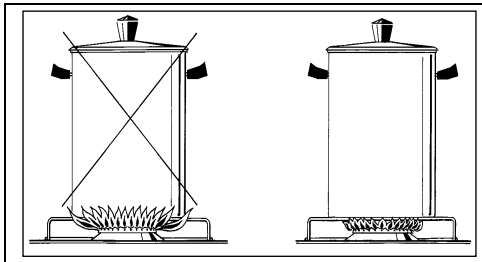


Fig.17

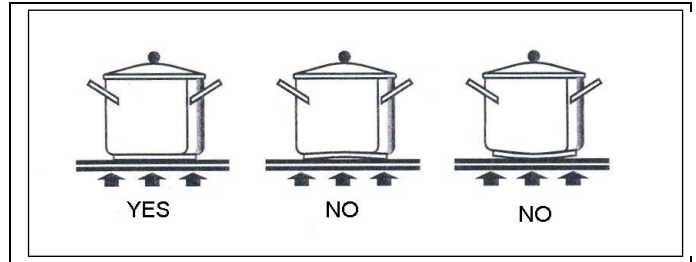


Fig.18

Cod. 310662